

SPIDER 18.90

Lightweight and easily transportable

Articulated boom with fly-jib for greater versatility

Excellent weight/horizontal outreach ratio

Full working height with 200kg cage capacity

Fully hydraulic proportional and simultaneous controls

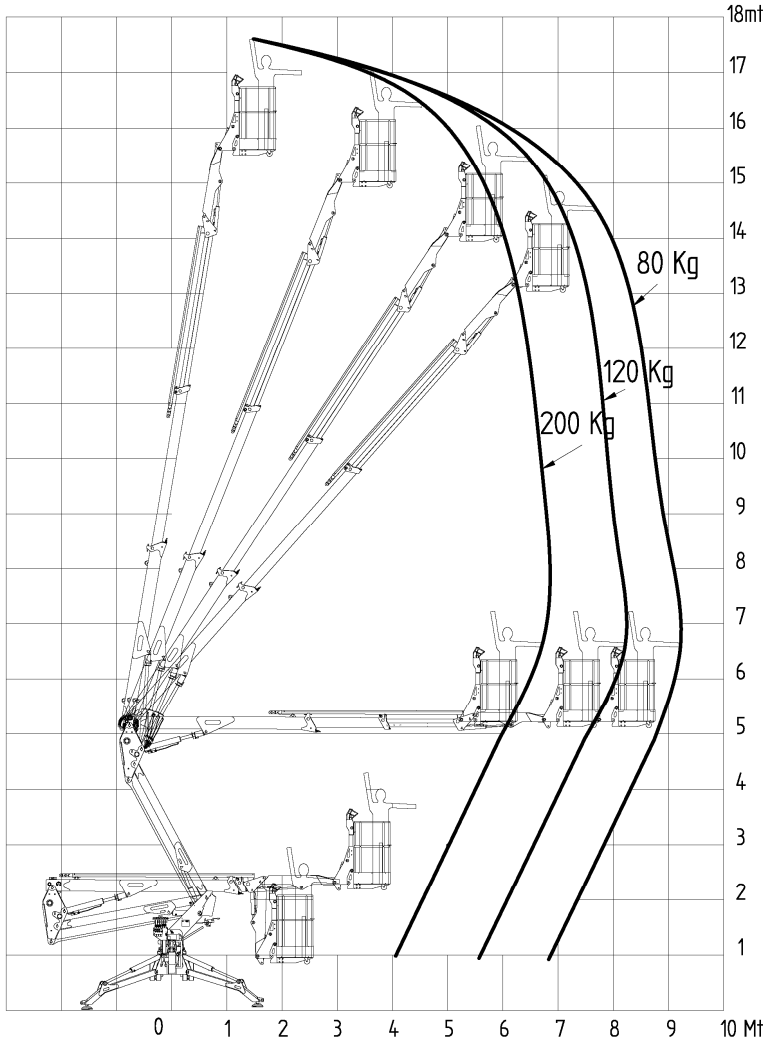
Dual power Diesel or Petrol engine + mains 110/220 Vac

Automatic outreach limiter

Easy maintenance

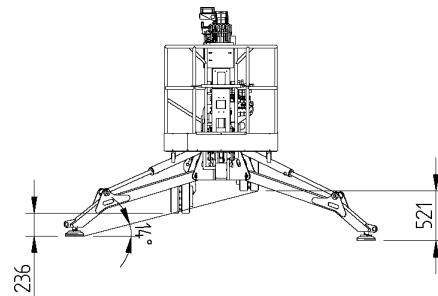
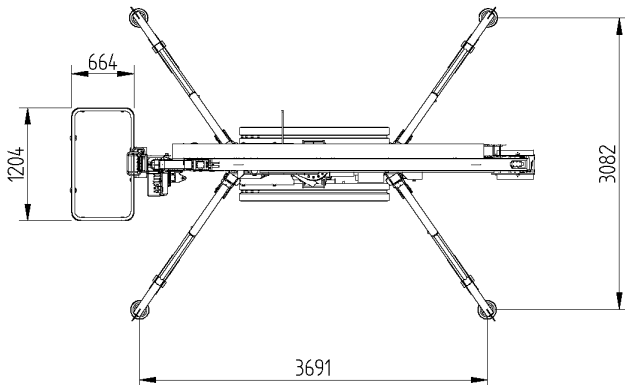
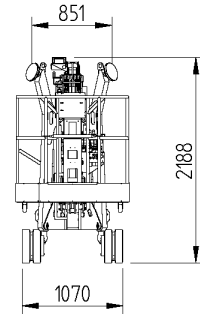
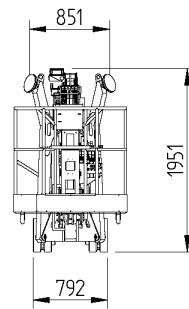
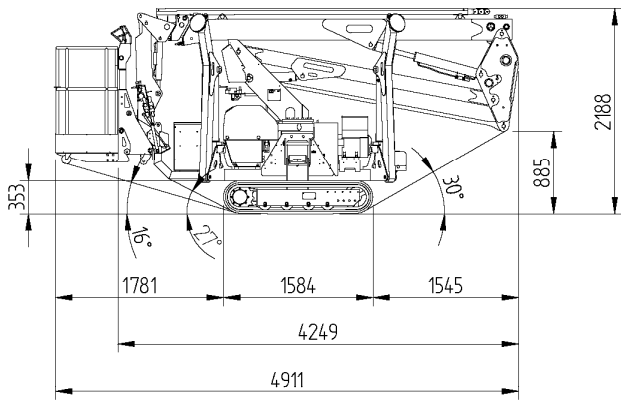
Variable track width for extra stability while travelling





Technical data		
Max working height	m	17,70
Working height to the basket floor	m	15,70
Max side outreach (80kg)	m	9,30
Turret rotation	Deg.	360°
Cage dimensions (Aluminium)	L x W m	1,20x0,66
Rotation cage	°	N/A
Max cage capacity (2 people)	kg	200
Lenght in stowed position	mm	4910
Detached cage dim.		4250
Minimum width in stowed position	mm	792
Minimum height in stowed position	mm	1951
Stabilization foot-print	m	3,70x3,10
Max driving speed	Km/h	1,50
Max gradeability	deg	27° (51%)
Max side gradeability	deg	14° (25%)
Total weight	kg	2300
Track pressure on ground	N/cm ²	5,25
Max force on the ground	daN	1500
GX390 Honda Petrol	Hp/RPM	11/3600
or L100N—Yanmar Diesel	Hp/RPM	9/3200

STANDARD FEATURES:	
Emergency hand pump	
Quick and easily removeable cage	
Hour meter	
Stabilisers/booms interlocking	
Automatic safe working device	
Black rubber tracks	
110/220 Vac Electric motor for indoor use	
Variable tracks width	
Complying with EN280 - AS1418.10 - B354-4	
OPTIONALS:	
Non-marking tracks	
Emergency descent electric power-pack 12 VDC	
110/220 Vac outlet in the cage	
Cage anti-collision kit	
Air&water outlet in the cage	
Customised color.	
Drive & Stabilization by radio remote control.	
Electronic planarity sensor & interlocking device.	
Increased size of foot-plates (350mm diam)	



DATA, DIMENSIONS AND FEATURES ARE INDICATIVE AND NOT BINDING.

