



## SPIDER 22.10

*Lightweight and easily transportable*

*Variable tracks width for extra stability while travelling*

*Radio-controlled proportional and simultaneous controls*

*Articulated boom with fly-Jib for greater versatility*

*Hydraulic cage rotation 90+90 deg*

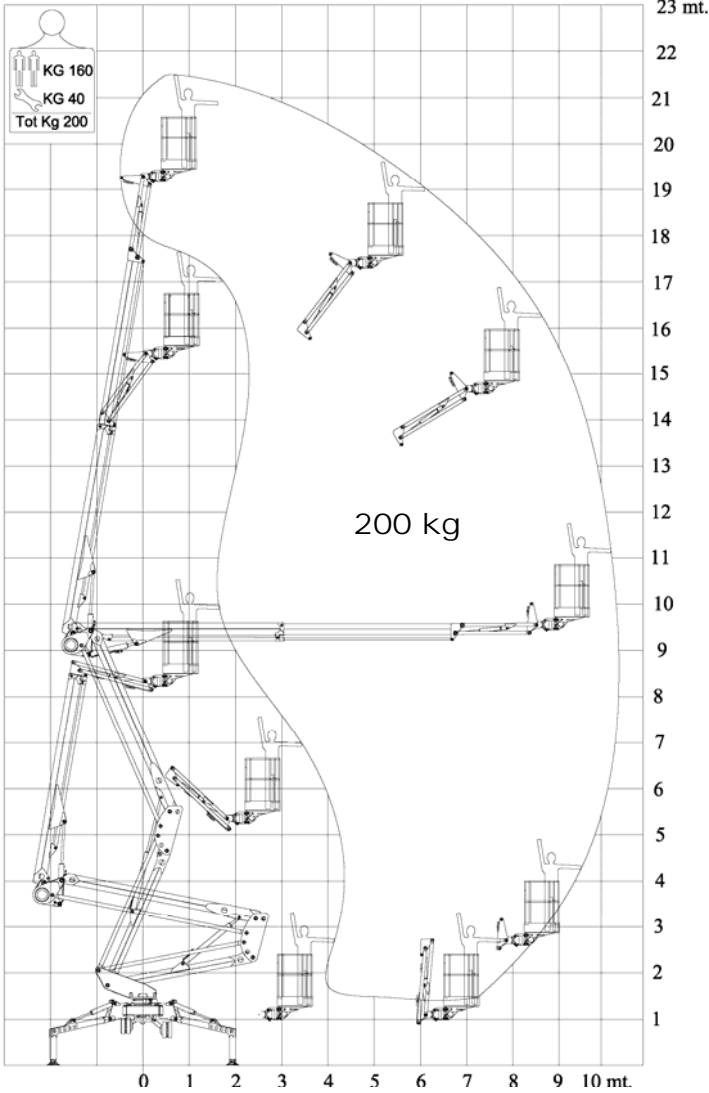
*Automatic outreach control system*

*Easy maintenance*

*Dual power Petrol or Diesel engine & 220/110 Vac mains*

*Protected pipelines inside of the telescopic booms*



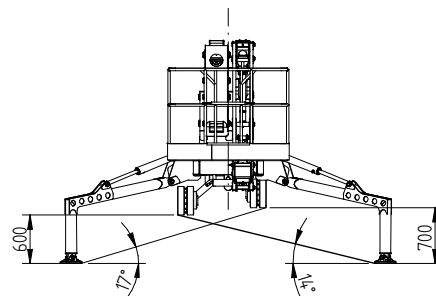
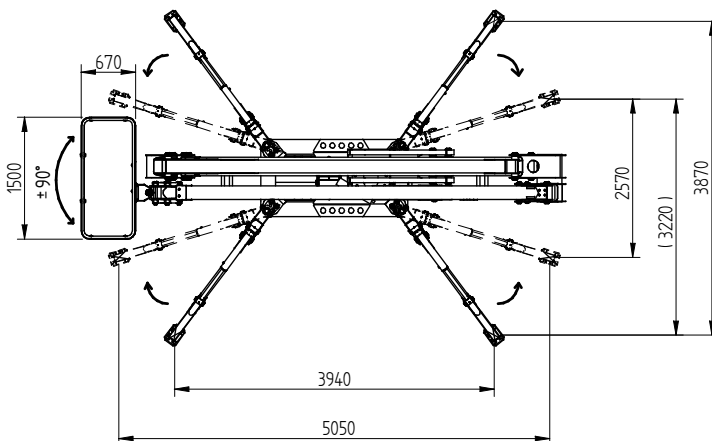
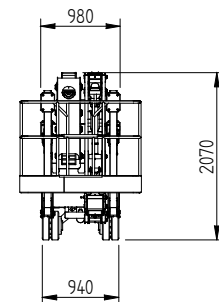
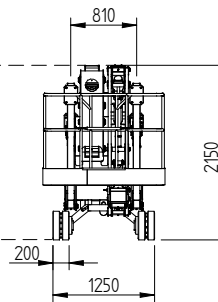
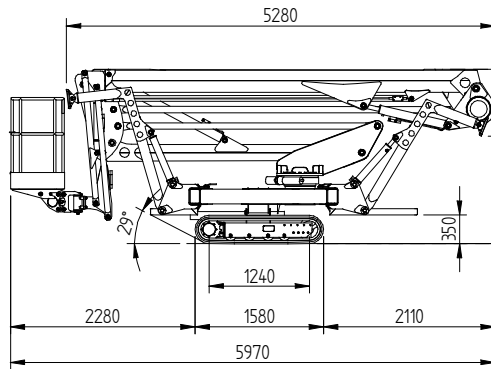


TECHNICAL DATA	
Max working height	m 21,70
Working height to the basket floor	m 19,70
Max side outreach	m 10,30
Turret rotation	Deg. 365°
Cage dimension (Aluminium)	m 1,50x0,70
Basket rotation	Deg. 90+90
Max cage capacity (2 people)	kg 200
Length with cage	Mm 5975
Length w/out cage	mm 5280
Minimum width in stowed position	mm 1000
Minimum height in stowed position	mm 2065
Two position footprint	Min-m 1,96 x 3,94 Max-m 3,87 x 5,31
Max driving speed	Km/h 2,5
Max gradeability	deg 16° (29%)
Max side gradeability	deg 17° (31%)
Total weight	kg 3000 *
Tracks pressure on ground	N/cm2 6,50
Max force on the ground	daN 2000
iGX440 Honda -Petrol	Hp/rpm 13/3600
or	
Z602E Kubota- Diesel	Hp/rpm 15/3200

STANDARD FEATURES:
Radio-control
Adjustable stabilizer position
Automatic outreach control
Load control in the cage
Hydraulic cage rotation
Hydraulic extendable tracks
220/110 Vac electric power-pack for indoor use
Air/Water outlet in the cage
Complying with: EN280

OPTIONALS:
Non-marking tracks
12Vdc emergency descent kit
Working light in the cage
110/220 V. AC 16 AMP Outlet in the cage
Oil kit for artic use
Over-sized removable square rigger pads.
Automatic stabilisation set-up.

\* May differs due to the configuration



DATA DIMENSIONS AND FEATURES ARE INDICATIVE AND NOT BINDING. REV. 3—30/06-09

